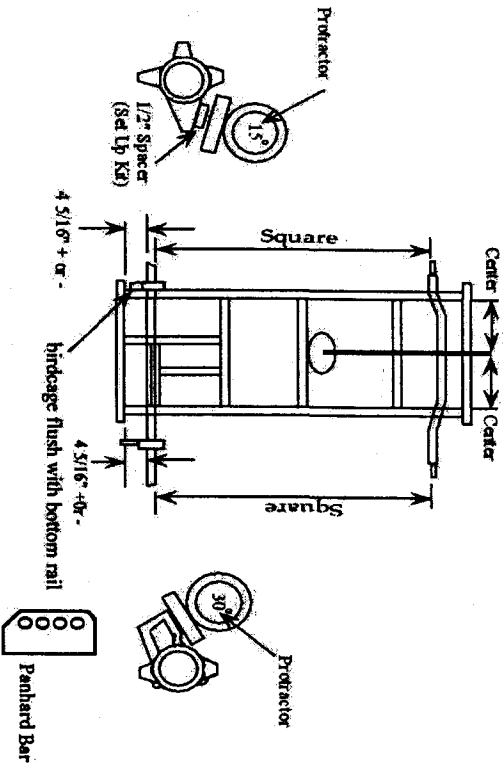
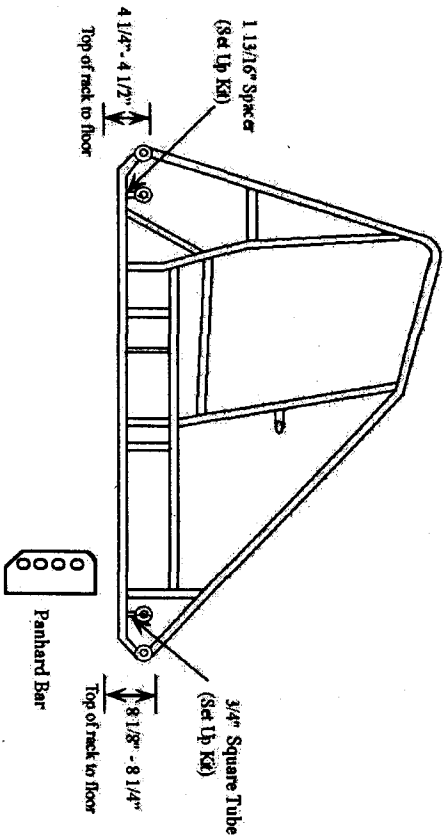


2003-2005 "BOB" Asphalt Set Up Sheet with SWB axle - front 7 3/4"-7 7/8"

Left Front Tire	Dunlop R6 4.5x5x10
Wheels	2"x3"
Circumference	31"
Tire Air Pressure	10 lbs.
Weight	
Tire Center to Frame Edge	6" + or - BOB- 5 1/4"
Ride Height	7 3/4"
Shock / Spring #	3/95
Air Shock Pressure	20 psi.

Left Rear Tire	Dunlop R6 or DBS
R6- 30 3/4 DBS- 31 3/4	4.5x5x10
Wheels	4"x2"
Circumference	31-31 1/2"
Tire Air Pressure	7 lbs.
Weight	10-16 lbs.
Tire Center to Frame Edge	5-5 1/2"
Ride Height	4 1/4"
Shock / Spring #	3/135
Air Shock Pressure	20 psi.



Right Front Tire	Dunlop DBS 11x5x6
Wheels	4"x2"
Circumference	33 1/2"
Tire Air Pressure	10 lbs.
Front panhard	Bottom
Tire Center to Frame Edge	11 1/2"
Ride Height	8 1/4"
Shock / Spring	5/105
Air Shock Pressure	20 psi.

Right Rear Tire	Dunlop DBS 11.5x7.10x6
Wheels	3 1/2"x5"
Circumference	34 1/2"-35"
Tire Air Pressure	10 lbs.
Rear panhard	2nd hole
Tire Center to Frame Edge	11 1/2"-12"
Ride Height	4 1/4"
Shock / Spring #	3/95
Air Shock Pressure	20 psi.

GT AMERICAN RACE CARS
45383 INDUSTRIAL PLACE, UNIT 5
FREMONT, CA 94538

WWW.GTAMERICAN.COM

PHONE 510.657.5054
FAX 510.657.5026
GTAMERICAN@HOTMAIL.COM